

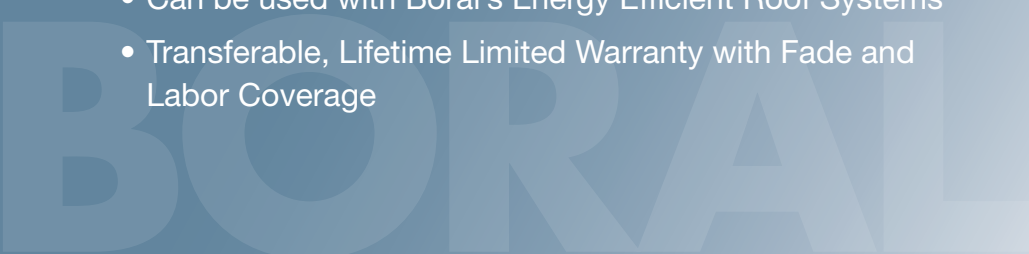
Texas - Clay Roof Tile

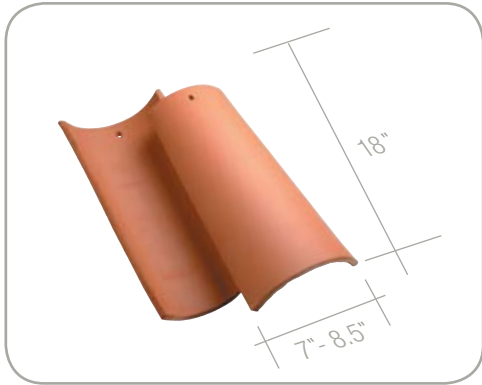
1-PIECE "S" TILE & 2-PIECE MISSION



NOW AVAILABLE LOCALLY AT THE KATY PLANT

- 1-Piece "S" Tile is **Class 3 Hail Rated**
- Cradle-to-Cradle™ Gold – Leading the industry in Sustainable Roof Tiles
- Can be used with Boral's Energy Efficient Roof Systems
- Transferable, Lifetime Limited Warranty with Fade and Labor Coverage





2-Piece Mission

First appearing in the bronze-age on the temple roofs of kings, and refined through fire-baking by the ancient Greeks, 2-Piece clay tiles have been the ultimate roofing product for millennia.

Our highly refined modern manufacturing techniques have enabled Boral to improve on the ageless tradition and style of traditional 2-Piece clay tile design, and delivers a color fast, no fade*, durable product that lasts a lifetime.

2-Piece Mission Birdstop



Coverage	Installed Weight / Square
At 3" minimum headlap, 172 field tiles will cover approx. 100 square feet of roof area.	Approx: 1,000 lbs.

*Please refer to the Boral Roofing/US Tile clay roof tile Transferable, Lifetime Limited Warranty with Fade and Labor Coverage; details found on our website.



Red

tops: 1UADU7025 / pans: 1UBDU7025



Reflectance: 0.42 / Emittance: 0.85 / SRI: 46

El Camino Blend

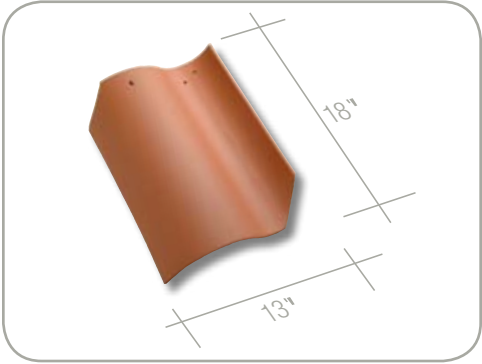
tops: 1UADU6073 / pans: 1UBDU7025



Reflectance: 0.33 / Emittance: 0.82 / SRI: 32



Faux Mission - Custom Blend



1-Piece "S" Tile

The modern design of our one-piece "S" Tile combines the cap and pan of a 2-Piece system into a single piece, delivering traditional aesthetics using fewer tiles, saving cost and installation time.

Made from the same natural clays and kiln-fired colors, our "S" Tile products are true to their roots, allowing custom roofscape options such as boosting, while providing the rich beauty and durability of clay at a substantially lower price.



Coverage	Installed Weight / Square
At 3" minimum headlap, 88 field tiles will cover approx. 100 square feet of roof area.	Approx: 800 lbs.

Red
1USDU7025

Reflectance: 0.42 / Emittance: 0.85 / SRI: 46

El Camino Blend
1USDU6073

Reflectance: 0.33 / Emittance: 0.82 / SRI: 32

Newport Blend
1USDU7040

Reflectance: 0.19 / Emittance: 0.84 / SRI: 15

Madera Blend
1USDU3107

Reflectance: 0.29 / Emittance: 0.86 / SRI: 29

Bermuda Blend
1USDU0074

Reflectance: 0.46 / Emittance: 0.78 / SRI: 49



The printed colors shown in this brochure may vary from actual available tile colors.

Faux Mission

The “Faux Mission” installation technique gives architects, builders and homeowners the superior aesthetics of a traditional 2-Piece clay tile roof at an affordable price.

We carefully designed our “S” Tile and our traditional 2-Piece Mission tile profiles to fit together, allowing a custom installation that provides the aesthetics of a traditional 2-Piece tile while capturing the cost saving benefits of an “S” Tile. 2-Piece Mission tiles are installed at the eave where the details of the roof are most visible. The “S” Tiles are then installed on the rest of the roof for a much quicker and easier installation than a traditional 2-Piece tile roof.



Corporate Office

Boral Roofing

200 Mansell Court East, Suite 310
Roswell, GA 30076

Western Office

Boral Roofing

7575 Irvine Center Drive, Ste. #100
Irvine, CA 92618

Customer Service

800 669 TILE (8453)

Sales Offices

Katy, TEXAS

30595 FM 529
Brookshire, TX 77423

Phoenix, ARIZONA

Corona, CALIFORNIA

Gilroy, CALIFORNIA

Lathrop, CALIFORNIA

Stockton, CALIFORNIA

Rialto, CALIFORNIA

Denver, COLORADO

Pompano Beach, FLORIDA

Lake Wales, FLORIDA

Atlanta, GEORGIA

Kapolei, HAWAII

Kansas City, MISSOURI

Henderson, NEVADA

Tacoma, WASHINGTON

www.boralna.com



Download a QR Code reader app for your smartphone, then take a photo to visit our website.



The Boral Logo is a trade mark of Boral Limited or its affiliates and may be registered in many jurisdictions worldwide.

